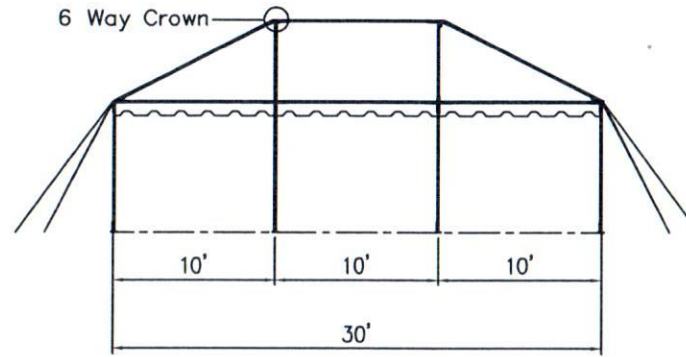


ISOMETRIC VIEW



SIDE VIEW

20' x 30' FRAME TENT

PIPE: 2"

- (10) 6'-8"/7'-8"/9'-4" LEGS
- (4) 14'-4" HIP RAFTER
- (11) 9'-4" SPREADER
- (6) 10'-6" RAFTER

FITTINGS:

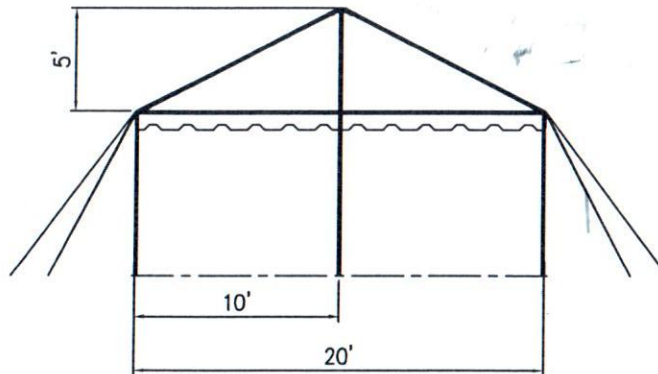
- (4) CORNER
- (2) 6 WAY CROWN
- (6) TEES

OPTIONS:

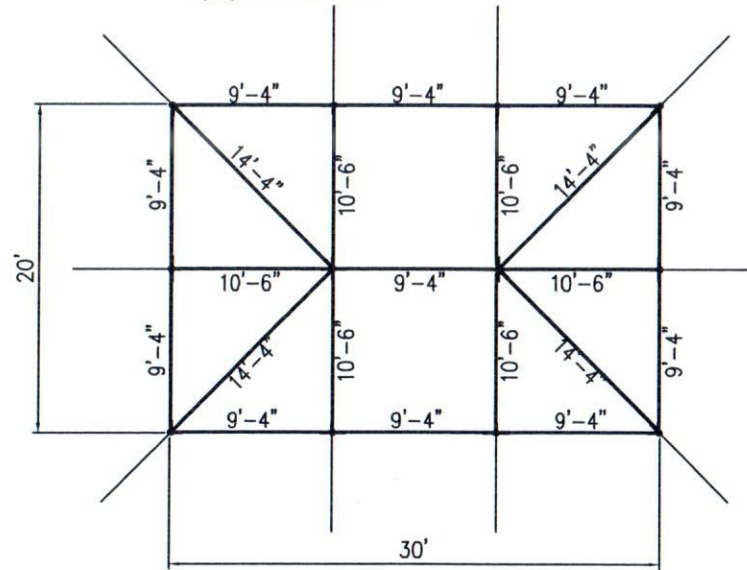
- (62) ASSEMBLY PINS
- (10) STAKES
- (10) ROPES
- (10) BASEPLATES

QWIK TOP OPTIONS:

- (10) RATCHET TENSIONERS
- (10) QWIK BASEPLATES



END VIEW



PLAN VIEW

K:\cad files\Fram Tents\DIAGRAMS\20x20x30.dwg, 2/14/2007 3:50:25 PM, pdfFactory.pc3

<p>490 ALASKA AVE. TORRANCE, CA 90503 (800) 228-3687 - FAX (310) 361-0722</p>		<p>STANDARD</p> <p>FRAME TENT / STANDARD</p> <p>20' x 30'</p>	<p>DATE DESCRIPTION</p> <p>07/10/06</p>	<p>SIZE</p> <p>20' x 30'</p>	<p>DRAWING NUMBER</p> <p>AZ-2030-FRAME</p>	<p>REV</p> <p>0</p>
		<p>ENGINEER</p> <p>CM</p>	<p>DRAWN</p> <p>KT</p>	<p>DATE</p> <p>07/10/06</p>	<p>FRAME TENTS\DIAGRAMS\20x20x30</p> <p>071006 1655</p>	

ALL DATA AND INFORMATION CONTAINED IN OR DISCLOSED BY THIS DOCUMENT IS CONFIDENTIAL AND PROPRIETARY INFORMATION OF AZTEC TENT COMPANY. THE RECIPIENT AGREES THAT THIS MATERIAL AND INFORMATION ARE EXPRESSLY RESERVED BY ACCEPTING THIS MATERIAL AND WILL NOT BE COPIED, REPRODUCED WHOLE OR IN PART, NOR ITS CONTENTS REVEALED IN ANY MANNER TO OTHERS, AND WILL BE USED ONLY FOR THE SPECIFIC PURPOSE FOR WHICH IT WAS DELIVERED.