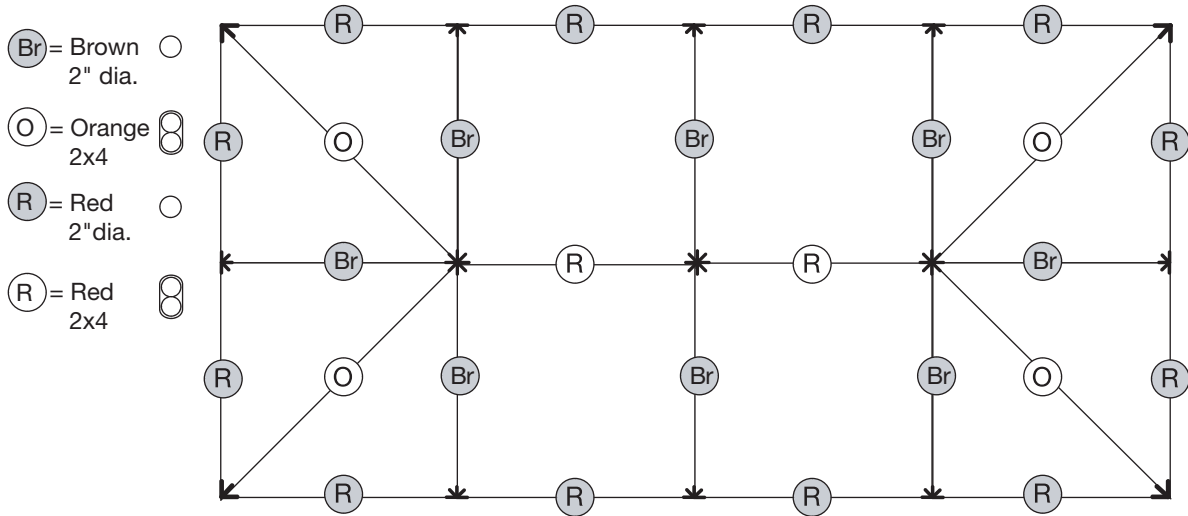




30' x 60' Optimal



Note: Additional stakes will be necessary in soft soil conditions or whenever stakes pull up from the ground.

